

# CHAPTER 17

## CONGRUENCE OF TRIANGLES

### More Questions for Practice

1. If, for each of the pairs of triangles sketched in the figure given below, like markings indicate congruent parts, name the congruence condition (SAS, SSS, ASA, RHS), if any, which will prove the two triangles of a pair congruent.

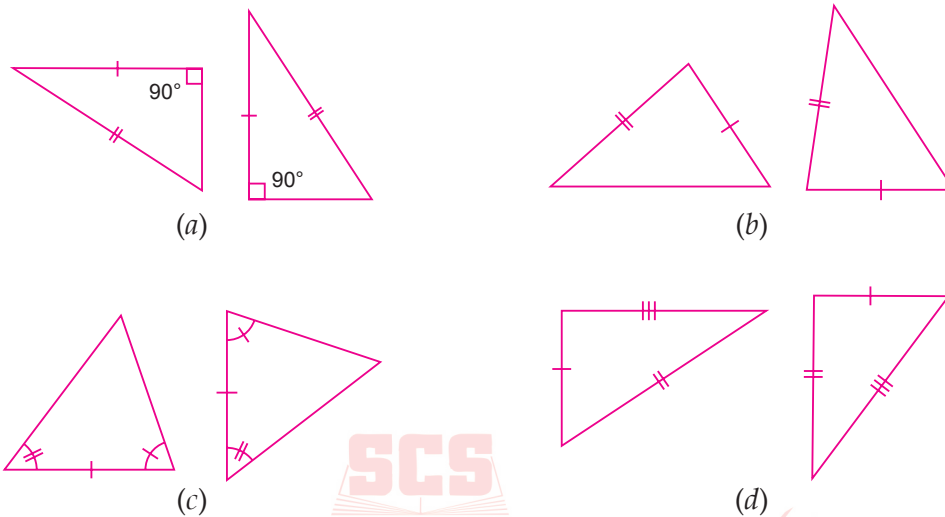


Fig. 17.1

2. In the adjoining figure, like markings indicate congruent parts. Is  $\triangle ADB$  congruent to  $\triangle ADC$ ? If so, name the congruence condition.

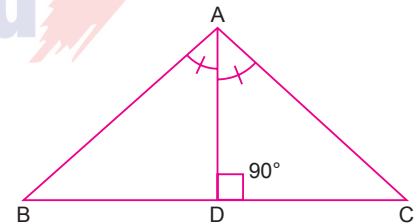


Fig. 17.2

3. In the adjoining figure,  $\triangle ABC$  is an isosceles triangle with  $AB \cong AC$ .  $D$  is the mid-point of  $BC$ . Is  $\triangle ADB \cong \triangle ADC$ ?

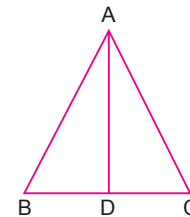


Fig. 17.3

## ANSWERS

1. (a) RHS (b) Triangles are not congruent. (c) ASA (d) SSS  
 2. Yes; ASA 3. Yes.